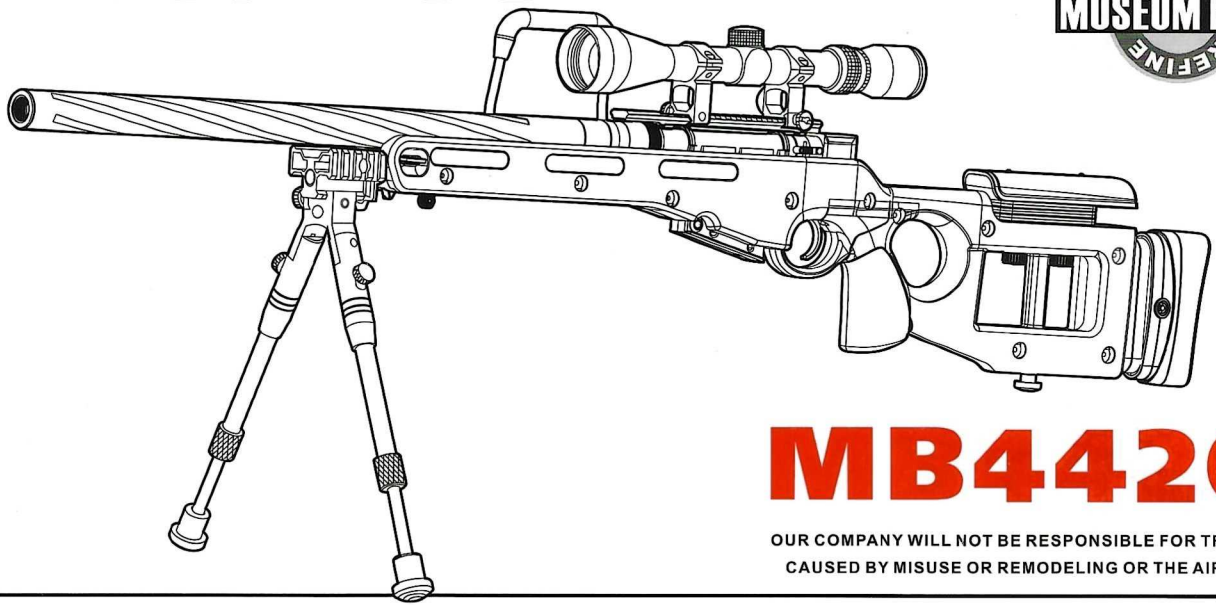


R E F I N E
AIRSOFT GUN

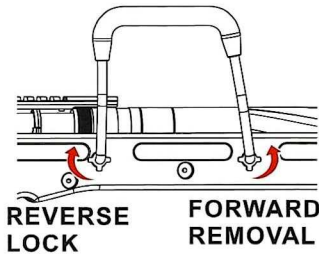
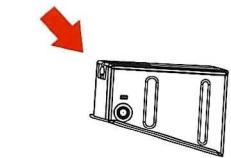
FOR AGES 18 AND UP



MB4420

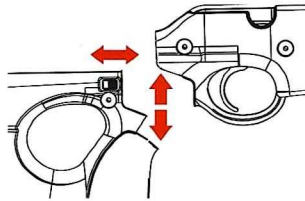
OUR COMPANY WILL NOT BE RESPONSIBLE FOR TROUBLE CAUSED BY MISUSE OR REMODELING OR THE AIR GUN.

LOAD 6MM BB BULLETS

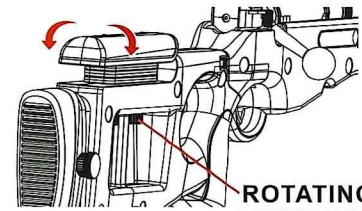


REVERSE LOCK

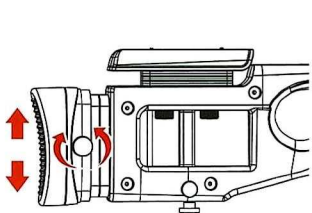
FORWARD REMOVAL



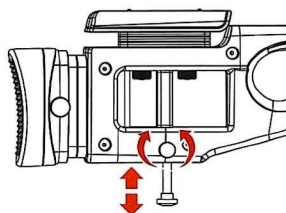
SWING INGE LEFT AND RIGHT



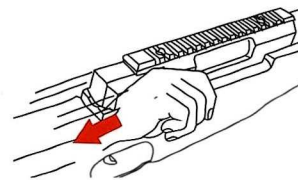
ROTATING TIGHT PINE



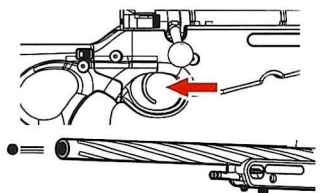
TIGHT, UP AND DOWN.



TIGHT, UP AND DOWN.



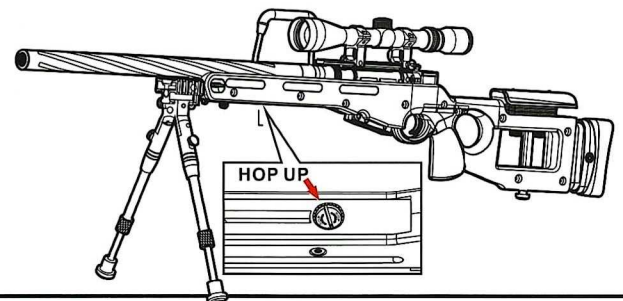
PULL THE COCKING HANDLE BACKWARD



AIM AT THE TARGET AND PRESS THE TRIGER

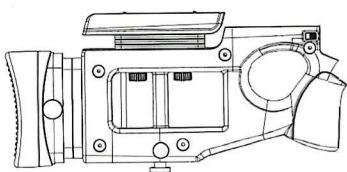
BB BULLET REGULTOR

THE BEST POSITION IS WHERE THE BULLETS FLY HORIZONTALLY, AND THE LONGEST FLYING DISTANCE IS OBTAINED.

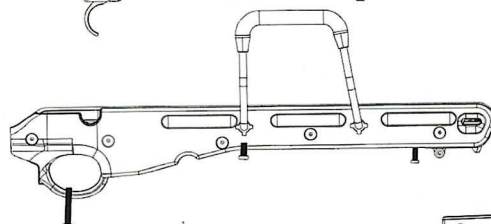


HOP UP

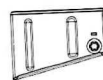
A



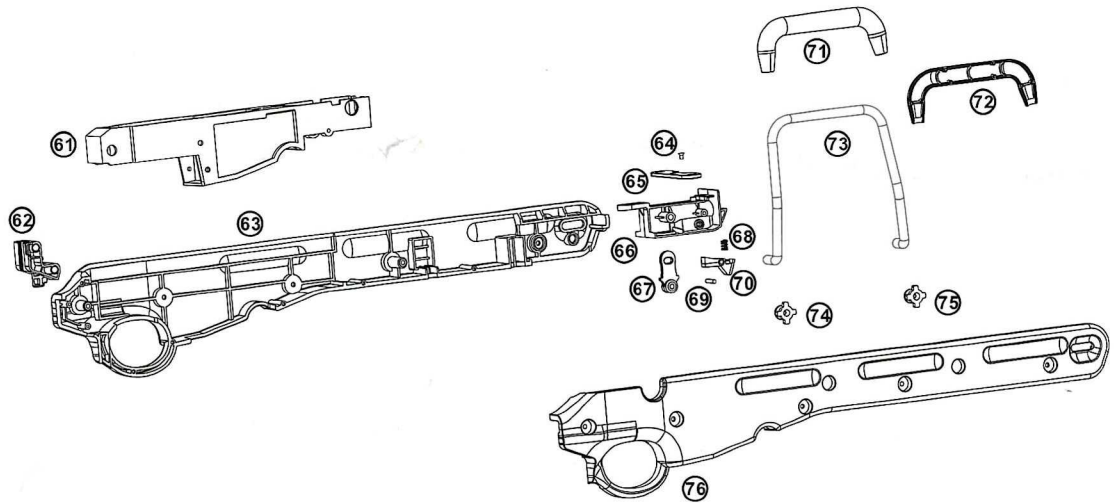
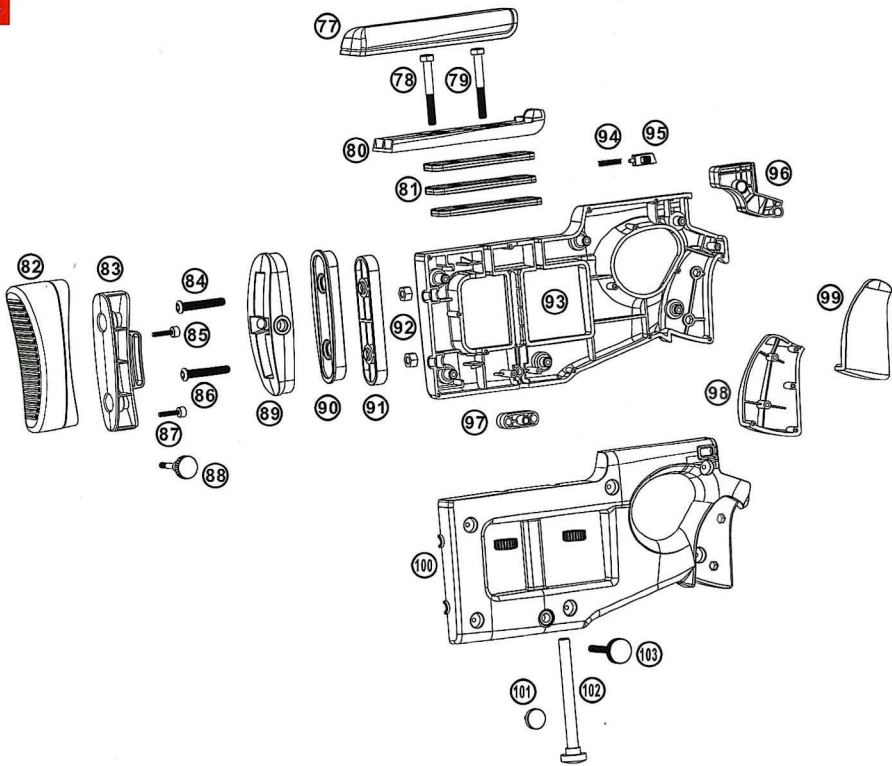
C



B



D

A**B****C****D**